

# Let's Dance

technical sheet



**HQ/SHOWROOM**

Weesperstraat 96H  
1112 AP Diemen  
Netherlands

+31 20 447 15 07  
info@neildavid.com

neildavid

# Let's Dance

## technical sheet

### designer

Neil David Coppens  
2022

### materials

Stainless steel

### colours

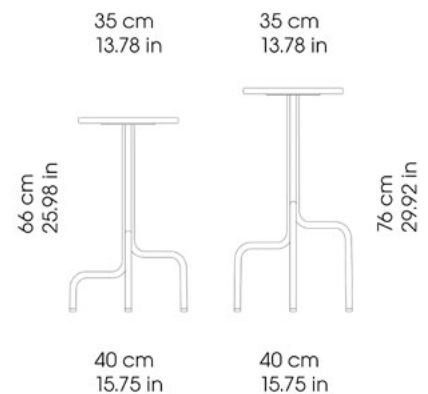
bead blasted stainless steel  
matte black powder coat  
raw (unfinished)

### volume

± 0,12 m<sup>3</sup>

### gross weight

± 10 kg / 22.0 lb



### HQ/SHOWROOM

Weesperstraat 96H  
1112 AP Diemen  
Netherlands

+31 20 447 15 07  
info@neildavid.com

neildavid