

BARFLY STOOL



designer

Neil David Coppens, 2015

materials

seat and back: solid European ash wood FSC and PEFC (making use of)

finish ash wood: water based stain + water based matte lacquer

test report: DIN EN 12720 (group 1B), DIN 53160,

cold liquids (ISO 4211), German version EN12720:2009)

colours

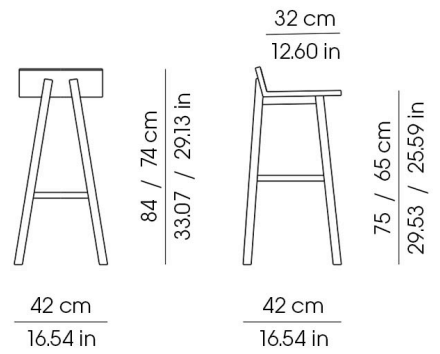
natural ash wood and stains, black, white, dark brown, light brown, blue, orange, red

volume

± 0,2 m³

gross weight

± 6,5 kg / 14,3 lb



waterbased stain



natural blank



black zwart



dark brown donker bruin



orange oranje



blue blauw

The water based stain options accentuate the structure of the ash wood, while a water based matte lacquer finish allows the texture of the grain to show through a denser colour coverage.

Please be advised that the colours on these pages are printed and therefore may differ slightly from the original.